



GLOBAL EAST ASIA TECHNOLOGY CO.,LIMITED

Product Name:4G Screw Antenna

product model: GL046-19



Item	Specifications	
Antenna	Frequency Range	700~960/ 1710~2690MHz
	Polarization	Linear
	Gain	2.0dBi (Zenith)
	V.S.W.R (min)	< 2.5
	Impedance	50Ω
Mechanical	Cable	RG174 or others
	Connector	SMA or others
	Radome Material	ABS
	Mounting Method	Magnet
Environmental	Operating Temperature	-40 °C ~+85 °C
	Relative Humidity	Up to 95%
	Vibration	10 to 55Hz with 1.5mm amplitude 2hours
	Environmentally Friendly	ROHS Compliant

Add: Room826, Floor 8,BLDG 13, University Science Park(East), Zhengzhou City, P.R.Henan, China.

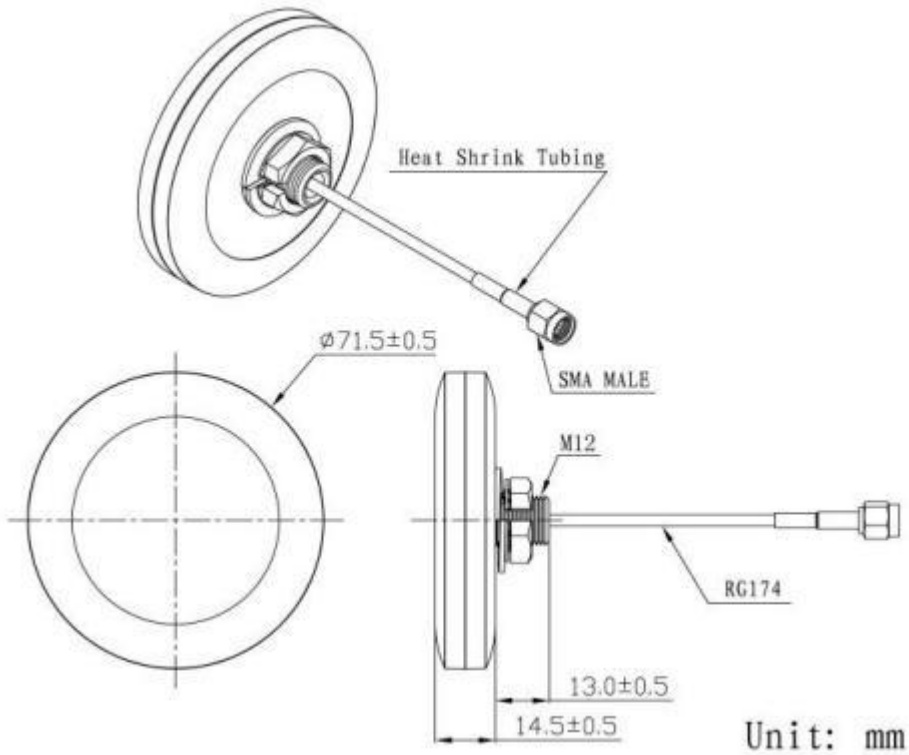
Tel: 86-371-60911368 Email:info@global-antenna.com

Web:<http://www.asialeren.com> <http://www.global-antenna.com>

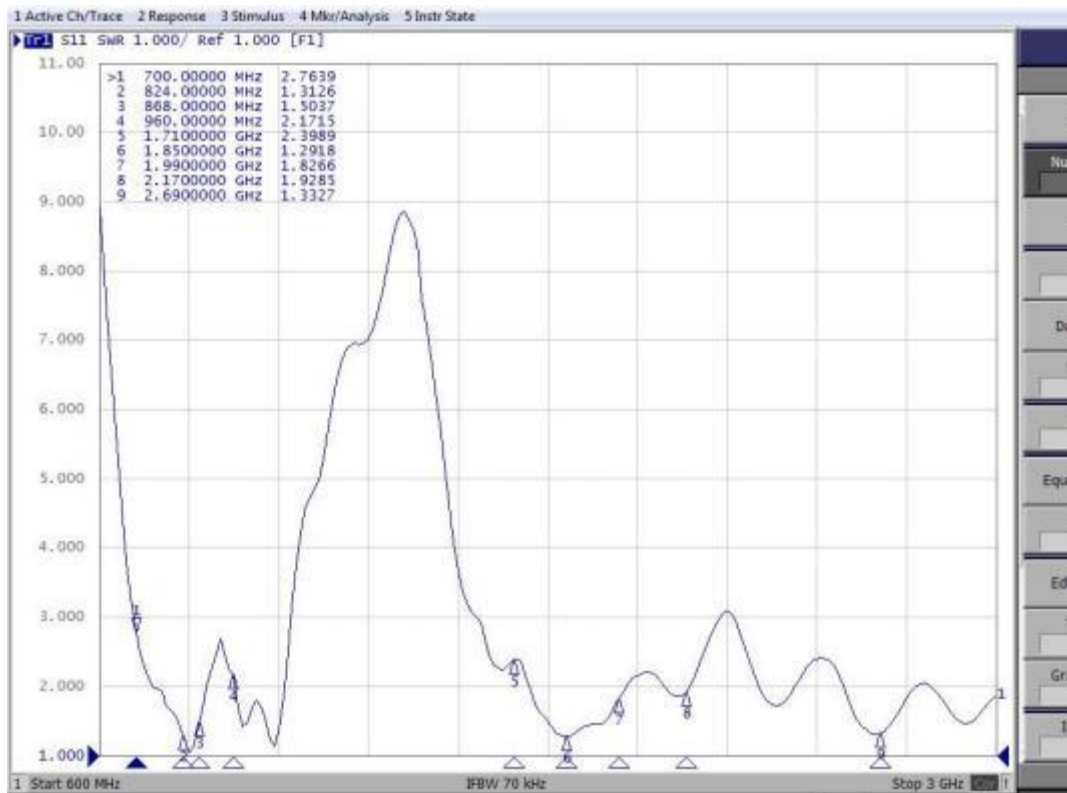


GLOBAL EAST ASIA TECHNOLOGY CO.,LIMITED

Drawing



Testing VSWR



Add: Room826, Floor 8,BLDG 13, University Science Park(East), Zhengzhou City, P.R.Henan, China.

Tel: 86-371-60911368 Email:info@global-antenna.com

Web: <http://www.asialeren.com> <http://www.global-antenna.com>



GLOBAL EAST ASIA TECHNOLOGY CO.,LIMITED

Gain and Efficiency

Frequency(MHz)	Gain(dBi)	Efficiency(%)
698	-4.18	13.84
824	0.31	25.67
868	1.52	32.61
960	1.64	32.40
1710	4.03	39.30
1850	4.46	38.08
1990	-1.98	9.42
2170	2.13	37.05
2690	4.68	48.30

Add: Room826, Floor 8,BLDG 13, University Science Park(East), Zhengzhou City, P.R.Henan, China.

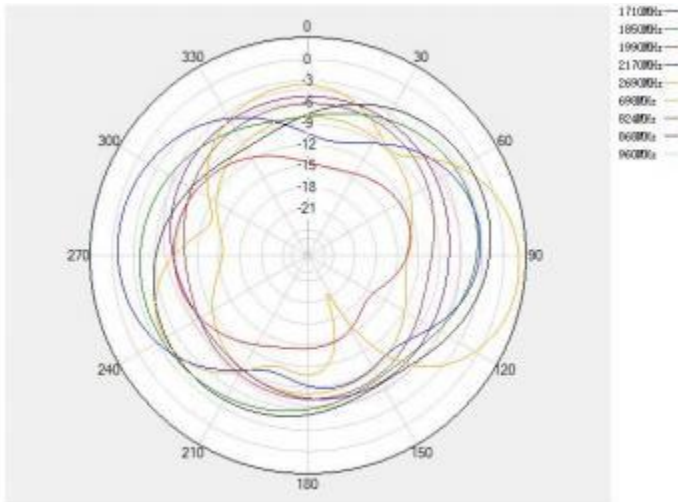
Tel: 86-371-60911368 Email:info@global-antenna.com

Web:<http://www.asialeren.com> <http://www.global-antenna.com>

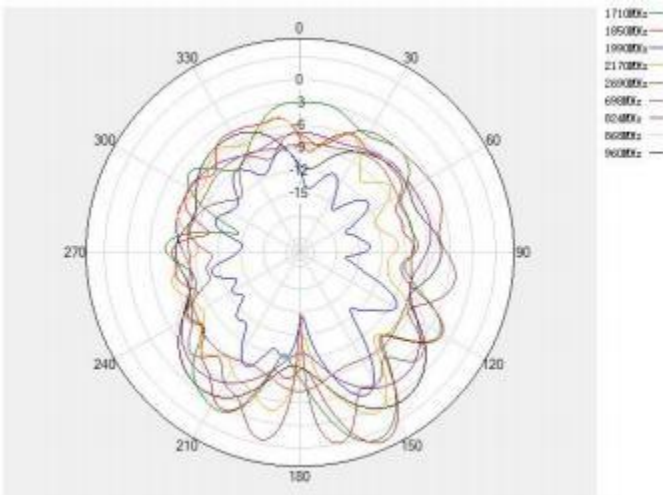


GLOBAL EAST ASIA TECHNOLOGY CO.,LIMITED

Antenna Radiation Pattern:



XY



XZ

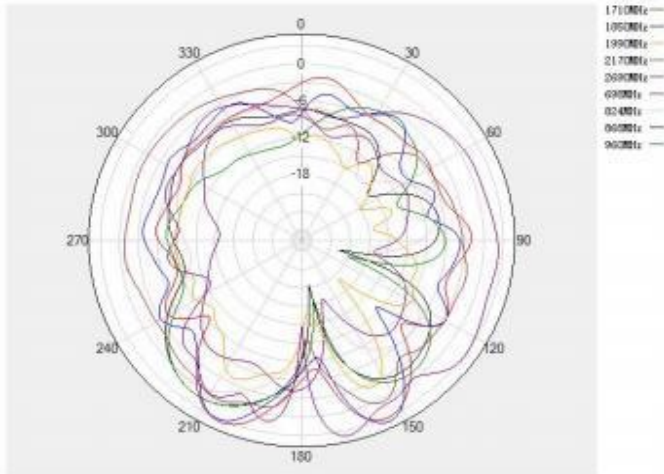
Add: Room826, Floor 8,BLDG 13, University Science Park(East), Zhengzhou City, P.R.Henan, China.

Tel: 86-371-60911368 Email:info@global-antenna.com

Web:<http://www.asialeren.com> <http://www.global-antenna.com>



GLOBAL EAST ASIA TECHNOLOGY CO.,LIMITED



YZ

YZ